

THIS DRAWING IS UNPUBLISHED. RELEASED FOR PUBLICATION  
 © COPYRIGHT - By - ALL RIGHTS RESERVED.


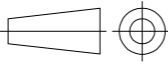
LOC		DIST		REVISIONS			
P	LTR	DESCRIPTION		DATE	DWN	APVD	
	A5	NOTE 3 ADDED REFLECTING SHIPPER QTY DETAILS		31JAN2013	KJK	RP	

SMALL PACK PART NUMBER	UNIT PACK QTY [QTY/ PLASTIC BOX]	BULK PACKAGING	
		PART NUMBER	
0 1377174 1	100	0-0320861-0	
0 1377174 2	100	0-0320862-0	
0 1377174 3	100	0-0320863-0	
0 1377174 4	50	0-0130496-0	
<del>OBSOLETE</del> 0 1377174 5	50	0-0130620-0	
0 1377174 6	50	0-0130625-0	
0 1377174 7	50	0-0032510-0	
0 1377174 8	50	0-0326865-0	
0 1377174 9	100	0-0165514-1	
1 1377174 0	100	0-0165142-0	
1 1377174 1	100	0-0165168-0	
1 1377174 2	100	0-0131331-0	
1 1377174 3	100	0-0165046-0	
1 1377174 4	100	0-0165172-0	
1 1377174 5	100	9-0160402-2	
1 1377174 6	100	0-0131330-0	
1 1377174 7	50	0-0165049-0	
1 1377174 8	50	0-0160404-2	
1 1377174 9	100	0-0323994-0	
<del>OBSOLETE</del> 2 1377174 0	100	0-0323975-0	
2 1377174 1	100	0-0320559-0	
2 1377174 2	50	0-0320562-0	
2 1377174 3	25	0-0320570-0	
2 1377174 4	50	0-0141462-1	
2 1377174 5	50	0-0165590-1	
<del>OBSOLETE</del> 2 1377174 6	50	0-0141460-1	
2 1377174 7	50	0-0160214-0	
2 1377174 8	50	0-0160215-0	
2 1377174 9	50	0-0141456-1	
<del>OBSOLETE</del> 3 1377174 0	50	0-0165591-1	
3 1377174 1	50	0-0141452-1	
3 1377174 2	50	0-0165429-1	
3 1377174 3	50	0-0165400-1	
<del>OBSOLETE</del> 3 1377174 4	100	5-0160321-2	
<del>OBSOLETE</del> 3 1377174 5	100	0-0160625-2	
<del>OBSOLETE</del> 3 1377174 6	100	0-0160626-1	
<del>OBSOLETE</del> 3 1377174 7	100	0-0160626-2	
<del>OBSOLETE</del> 3 1377174 8	100	5-0160490-1	
<del>OBSOLETE</del> 3 1377174 9	100	5-0160491-1	
<del>OBSOLETE</del> 4 1377174 0	100	5-0160491-2	
<del>OBSOLETE</del> 4 1377174 1	100	5-0160506-1	
<del>OBSOLETE</del> 4 1377174 2	100	5-0160506-2	
<del>OBSOLETE</del> 4 1377174 3	50	5-0160506-3	
<del>OBSOLETE</del> 4 1377174 4	100	1-0160304-0	
4 1377174 5	100	1-0160304-2	
4 1377174 6	50	2-0160304-4	
4 1377174 7	100	1-0160304-8	
<del>OBSOLETE</del> 4 1377174 8	100	1-0160305-3	
4 1377174 9	100	1-0160305-6	
<del>OBSOLETE</del> 5 1377174 0	50	0-0160305-5	
5 1377174 1	50	0-0140814-1	
5 1377174 2	50	0-0140814-2	
5 1377174 3	100	0-0141879-1	
5 1377174 4	50	0-0140734-1	
<del>OBSOLETE</del> 5 1377174 5	50	0-0140608-0	
<del>OBSOLETE</del> 5 1377174 6	50	0-0142241-1	
<del>OBSOLETE</del> 5 1377174 7	50	0-0041480-0	
5 1377174 8	50	0-0141878-1	
5 1377174 9	50	0-0141878-2	
<del>OBSOLETE</del> 6 1377174 0	50	0-0041291-0	
6 1377174 1	50	0-0140665-0	
6 1377174 2	50	0-0181949-1	
<del>OBSOLETE</del> 6 1377174 3	50	0-181949-2	
6 1377174 4	50	0-0181948-1	
<del>OBSOLETE</del> 6 1377174 5	10	0-0163179-1	
<del>OBSOLETE</del> 6 1377174 6	10	0-0140714-3	
6 1377174 7	10	0-0180909-0	
6 1377174 8	50	2-0180930-0	
<del>OBSOLETE</del> 6 1377174 9	50	1-0925017-0	

SMALL PACK PART NUMBER	UNIT PACK QTY [QTY/ PLASTIC BOX]	BULK PACKAGING	
		PART NUMBER	
<del>OBSOLETE</del> 7 1377174 0	100	0-0925387-1	
<del>OBSOLETE</del> 7 1377174 1	50	1-0480435-0	
<del>OBSOLETE</del> 7 1377174 2	50	0-0925068-0	
<del>OBSOLETE</del> 7 1377174 3	100	0-0735052-0	
<del>OBSOLETE</del> 7 1377174 4	50	0-0926539-1	
<del>OBSOLETE</del> 7 1377174 5	50	0-0926539-5	
7 1377174 6	50	0-0735075-0	
7 1377174 7	50	0-0165619-2	
<del>OBSOLETE</del> 7 1377174 8	50	0-0165619-5	
7 1377174 9	50	0-0165563-1	
8 1377174 0	50	0-0165564-1	
8 1377174 1	50	0-0165565-1	
8 1377174 2	50	0-0165565-2	
8 1377174 3	50	0-0165566-1	
8 1377174 4	50	0-0165566-2	
8 1377174 5	50	9-0160481-1	
8 1377174 6	100	9-0160481-5	
8 1377174 7	50	9-0160483-1	
<del>OBSOLETE</del> 8 1377174 8	100	9-0160483-5	
8 1377174 9	100	0-0140805-2	
9 1377174 0	100	0-0140948-1	
9 1377174 1	100	9-0160583-2	
9 1377174 2	100	9-0160583-5	
<del>OBSOLETE</del> 9 1377174 3	100	0-0165614-2	
9 1377174 4	100	0-0165615-2	
9 1377174 5	50	0-0165616-2	
9 1377174 6	50	0-0165616-5	
9 1377174 7	100	0-0165617-2	
<del>OBSOLETE</del> 9 1377174 8	100	0-0165617-5	
9 1377174 9	100	9-0160477-2	

NOTE:

- 1. OBSOLETE PARTS: OBSOLETE CIS STREAMLINING PER D.RENAUD/D.SINISI
- 2. REFERENCE:  
PN 1377172  
1377173  
1377174  
1377175
- 3. SHIPPER QTY = 20 X QTY/PLASTIC BOX FOR ALL PART NUMBERS

THIS DRAWING IS A CONTROLLED DOCUMENT.		DWN RvH 26-03-02	 TE Connectivity	
DIMENSIONS: mm		CHK A. BIJNEN 26-03-02		
TOLERANCES UNLESS OTHERWISE SPECIFIED:		APVD A. BIJNEN 26-03-02	NAME SMALL PACK	
		PRODUCT SPEC	SIZE A2	
0 PLC ± - 1 PLC ± - 2 PLC ± - 3 PLC ± - 4 PLC ± - ANGLES ± -		APPLICATION SPEC	CAGE CODE 00779	DRAWING NO C=1377174
MATERIAL -	FINISH -	WEIGHT -	RESTRICTED TO -	SCALE -
CUSTOMER DRAWING			SHEET 1 of 1	REV A5